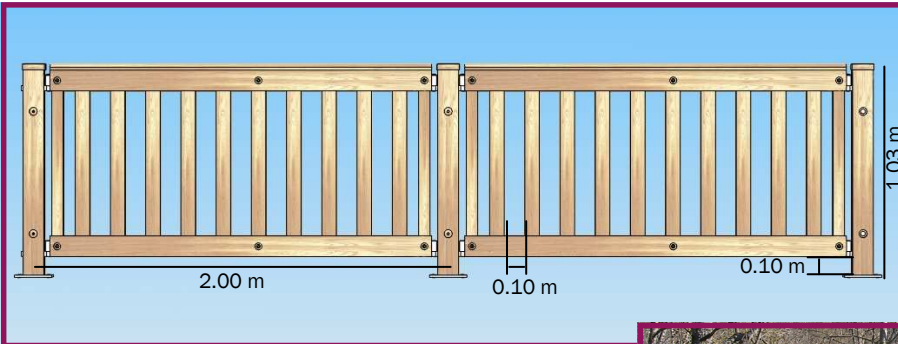


# PRODUCT DATA SHEET

## PEDESTRIAN PARAPET T100 – Réf. GC T100

November 2009



- 1 Galvanized steel post with wooden cladding on steel base or to be sealed
- 2 Wooden panel with vertical barrels

### DESCRIPTION

Galvanized steel posts on steel base with wooden cladding.

Wooden panels with vertical barrels.

Connections « panels-posts » with galvanized steel parts.

« Panel to post » locking system.

2.00 m post spacing

0.10 m ground clearance

0.10 m barrel spacing

1.03 m height above ground

Load : 2740N/m

Acceptable pavement width : 4.40 m

Calculation note available

Weight per 1m : 36 kg



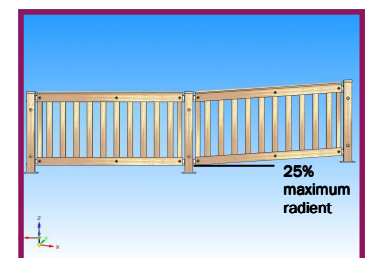
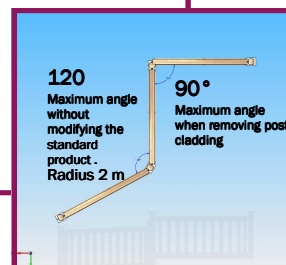
Parapet tested according to Standards XP P98-405  
In accordance with standards NF P01-013

### PACKING

Length 2.00 m

Maximum weight 500Kg

### Using angles



Wood specie : **DOUGLAS** fir, pressure treated wood with chromium and arsenic free preservatives according to standard EN 335. PEFC certificated wood.  
**10-year guarantee** against fungus and cryptogam attack.



61160 VILLEDIEU-LES-BAILLEUL

Phone : +33 2 33 36 11 02 - Fax : +33 2 33 39 28 75

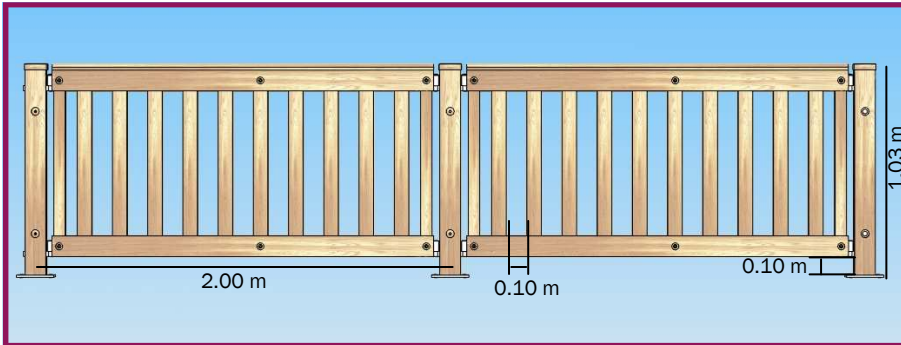
e-mail : bdt@tertu.com - web : www.tertu.com



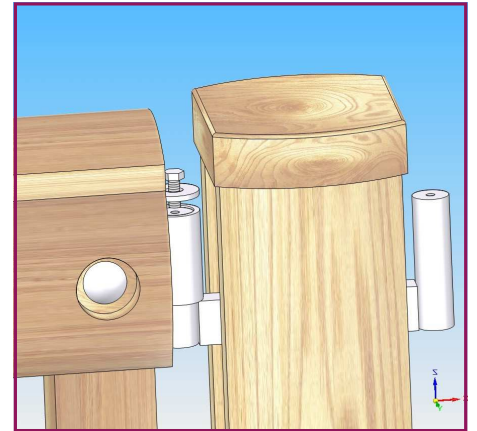
# TECHNICAL DATASHEET

## Instruction for assembly into normal conditions PEDESTRIAN PARAPET T100 - Ref. GC T100

### Installation overview



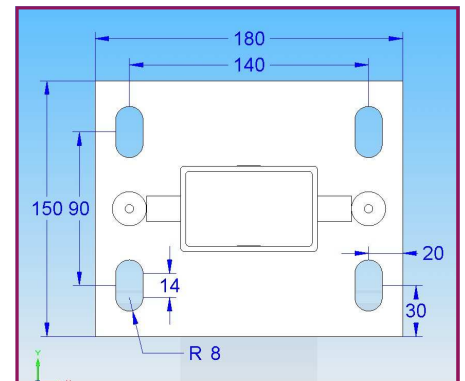
### « Panel to post » locking system



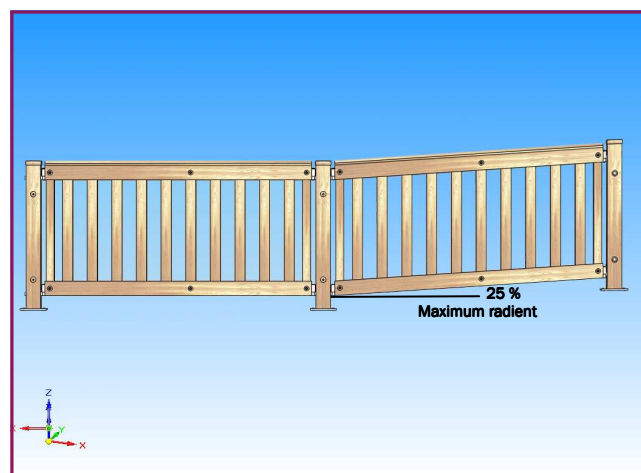
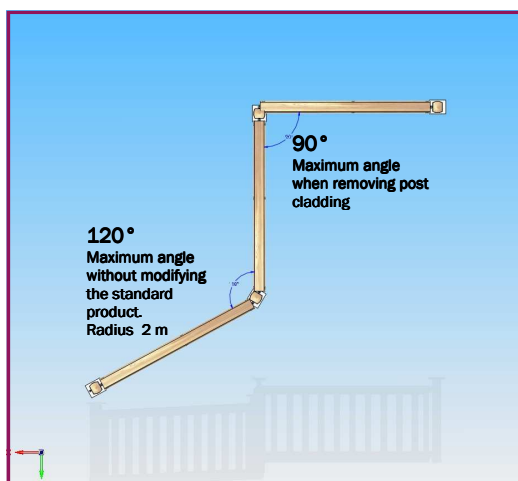
### POSTS INSTALLATION

- 1 Erect the **posts**. During testing each post has been anchored with 4 studs, diameter 12-120, in a concrete base pressure resistant to 25Mpa. These specifications must be considered as minimum requirements.
- 2 Install **barrels panel**
- 3 **Lock** barrels panel to post

### Steel base details



### Using angles



61160 VILLEDIEU-LES-BAILLEUL

Phone : +33 2 33 36 11 02 - Fax : +33 2 33 39 28 75

e-mail : bdt@tertu.com - web : www.tertu.com



ISO 9001  
BUREAU VERITAS  
Certification

