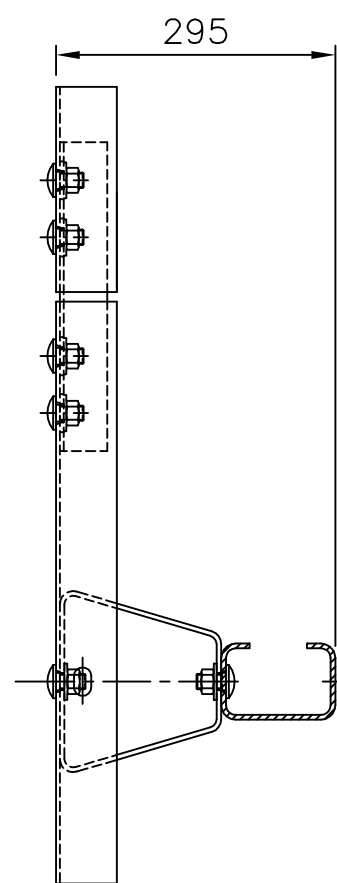
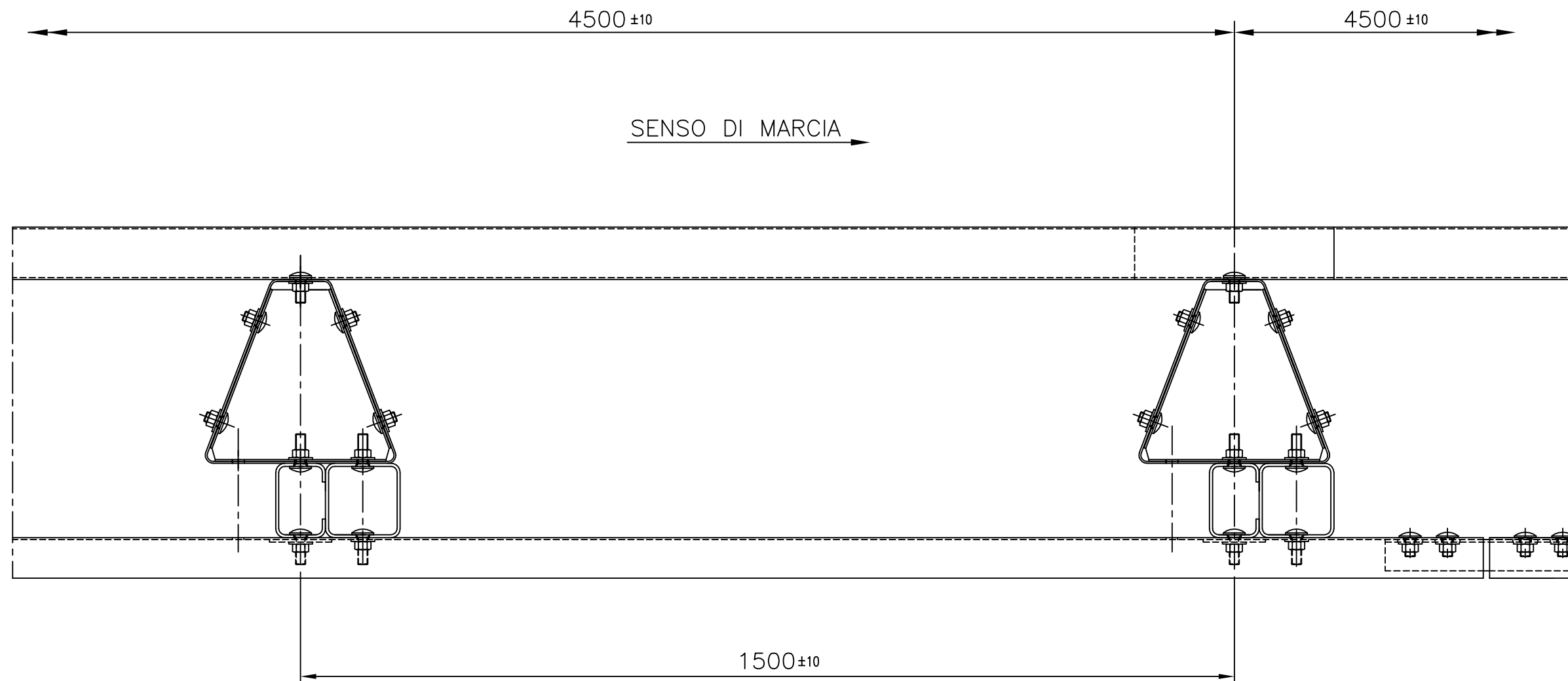


SENSO DI MARCIA



SEZIONE A-A



VISTA B-B



sormonto 3n

PESO BARRIERA A M/L: Kg. 60,33 COMPRESO ZINCATURA E BULLONERIA

MARCEGAGLIA
building



Barrier Safety Systems
Mill Haven, Grange, Knockbridge,
Dundalk, Co. Louth, Republic of Ireland
Tel: +353 42 9384854
Fax: +353 42 9384855
Email: barriers@eircom.net
Web: www.barriersafety.ie

Client	Project			
Comm. Nr.	Client Ref			
Drawing Description H3 A W5 & H4b A W6 single sided system on ground				
Dwg No. BL-MRC	Date 05/12/06	Scale NTS	Dwg By	Revision