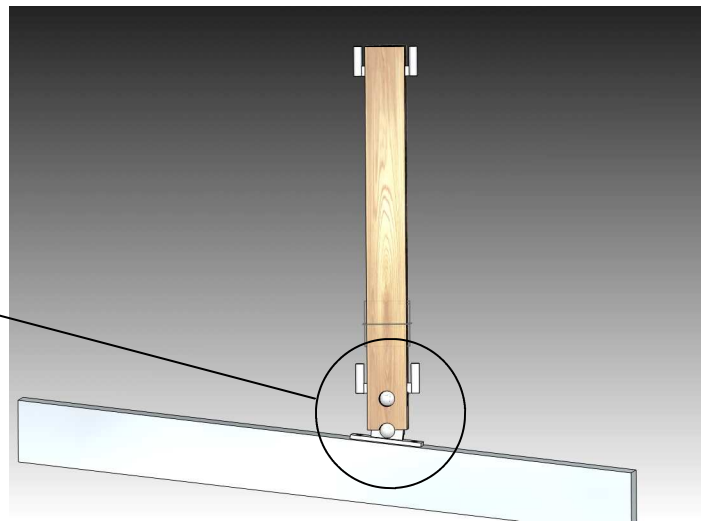
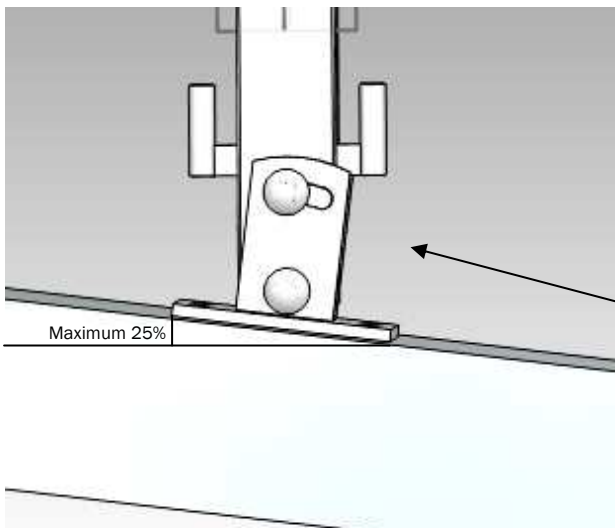


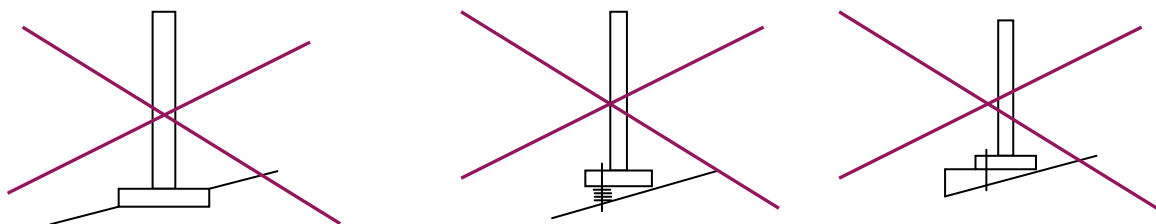
New

## Articulated steel base for posts Pedestrian Parapet T100

### The all-land steel base !



No more leveling or wedging to compensate slopes, the articulated steel base for T100 pedestrian parapet allows a direct installation without any preparation of the ground.



Wood specie : **DOUGLAS** fir, pressure treated wood with chromium and arsenic free preservatives according to **standard EN 335**. **PEFC** certificated wood.  
**10-year guarantee** against fungus and cryptogam attack.



61160 VILLEDIEU-LES-BAILLEUL

Phone : +33 2 33 36 11 02 - Fax : +33 2 33 39 28 75

e-mail : bdt@tertu.com - web : www.tertu.com



April 2010