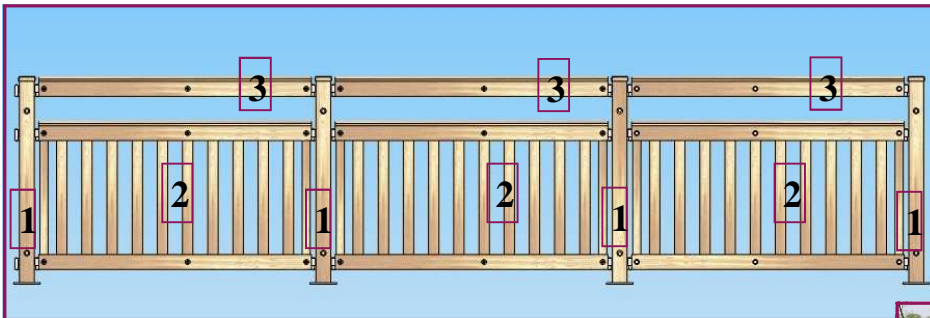


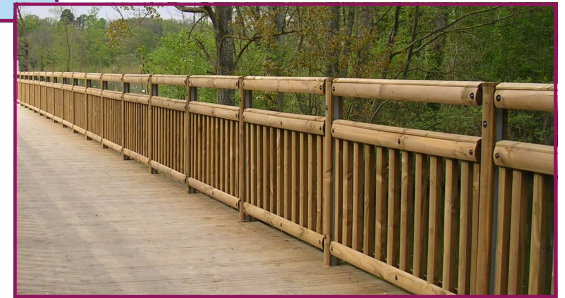
# PRODUCT DATASHEET

## PEDESTRIAN PARAPET T140 – Ref. GC T140

November 2009



- 1 Galvanized steel post with wooden cladding on steel base or to be sealed
- 2 Wooden panel with vertical barrels
- 3 Horizontal handrail



### DESCRIPTION

Galvanized steel **post** on steel base with wooden cladding

Filling with **vertical barrels**

**Connections** « panels-posts » and « adjustable post » with galvanized steel parts  
« Panel to post » **locking system**

2.00 m post spacing  
0.10 m ground clearance  
0.10 m barrel spacing  
1.40 m height above ground  
Barrels at 1.10 m and handrail at 1.40 m  
Load : 2140N/m  
Acceptable pavement width :  $\leq 3.28$  m  
Calculation note available

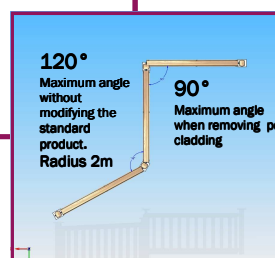
Weight per 1m : 46 kg

**Parapet tested according to Standards XP P98-405**  
**In accordance with standards NF P01-013**

### PACKING

Length 2.00 m  
Maximum weight 580 Kg

Using angles



Wood specie : **DOUGLAS fir**, pressure treated wood with chromium and arsenic free preservatives according to **standard EN 335**. **PEFC** certificated wood.  
**10-year guarantee** against fungus and cryptogam attack.



61160 VILLEDIEU-LES-BAILLEUL

Phone : +33 2 33 36 11 02 - Fax : +33 2 33 39 28 75

e-mail : bdt@tertu.com - web : www.tertu.com



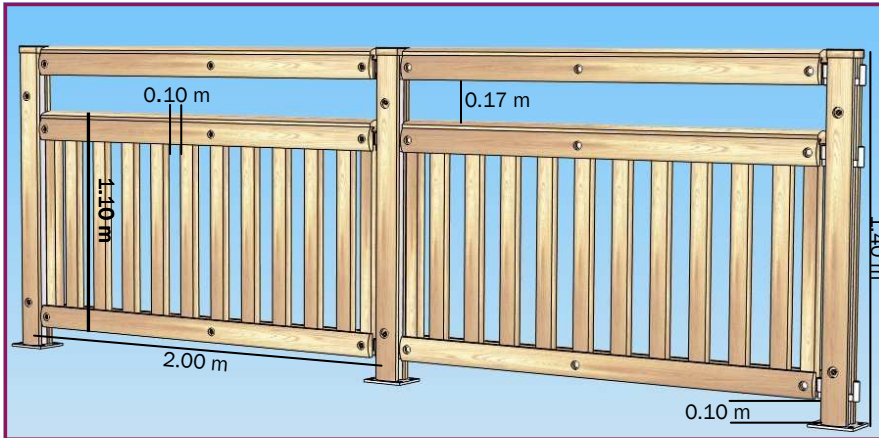
ISO 9001  
BUREAU VERITAS  
Certification



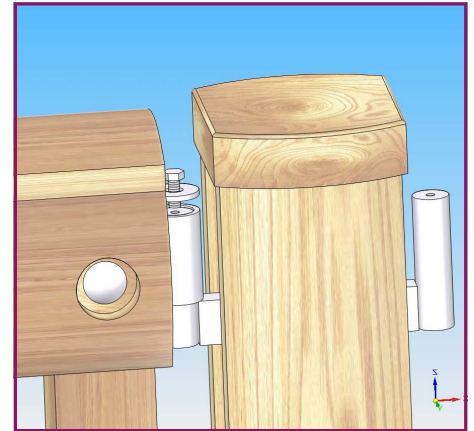
# TECHNICAL DATASHEET

## Instructions for assembly into normal conditions PEDESTRIAN PARAPET T140 - Ref. GC T140

### Installation overview



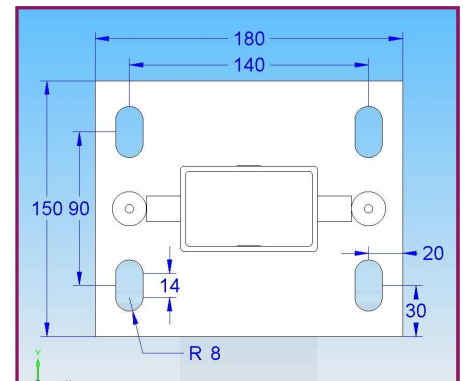
### « Panel to post » locking system



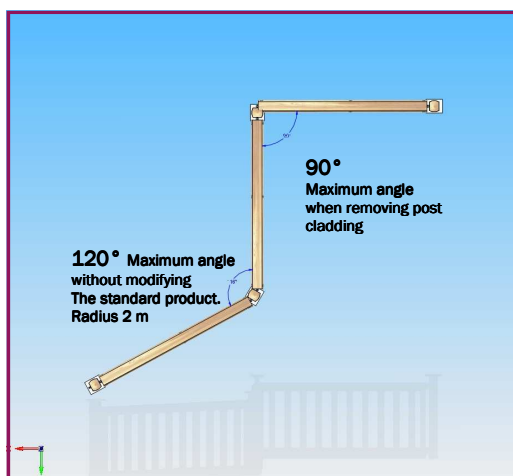
### POSTS INSTALLATION

- 1 Erect the **posts**. During testing each post has been anchored with 4 studs, diameter 12-120, in a concrete base pressure resistant to 25Mpa. These specifications must be considered as minimum requirements.
- 2 Install **barrels panel**
- 3 **Lock** barrels panel to post

### Steel base details



### Using angle



61160 VILLEDIEU-LES-BAILLEUL

Phone : +33 2 33 36 11 02 - Fax : +33 2 33 39 28 75

e-mail : bdt@tertu.com - web : www.tertu.com

